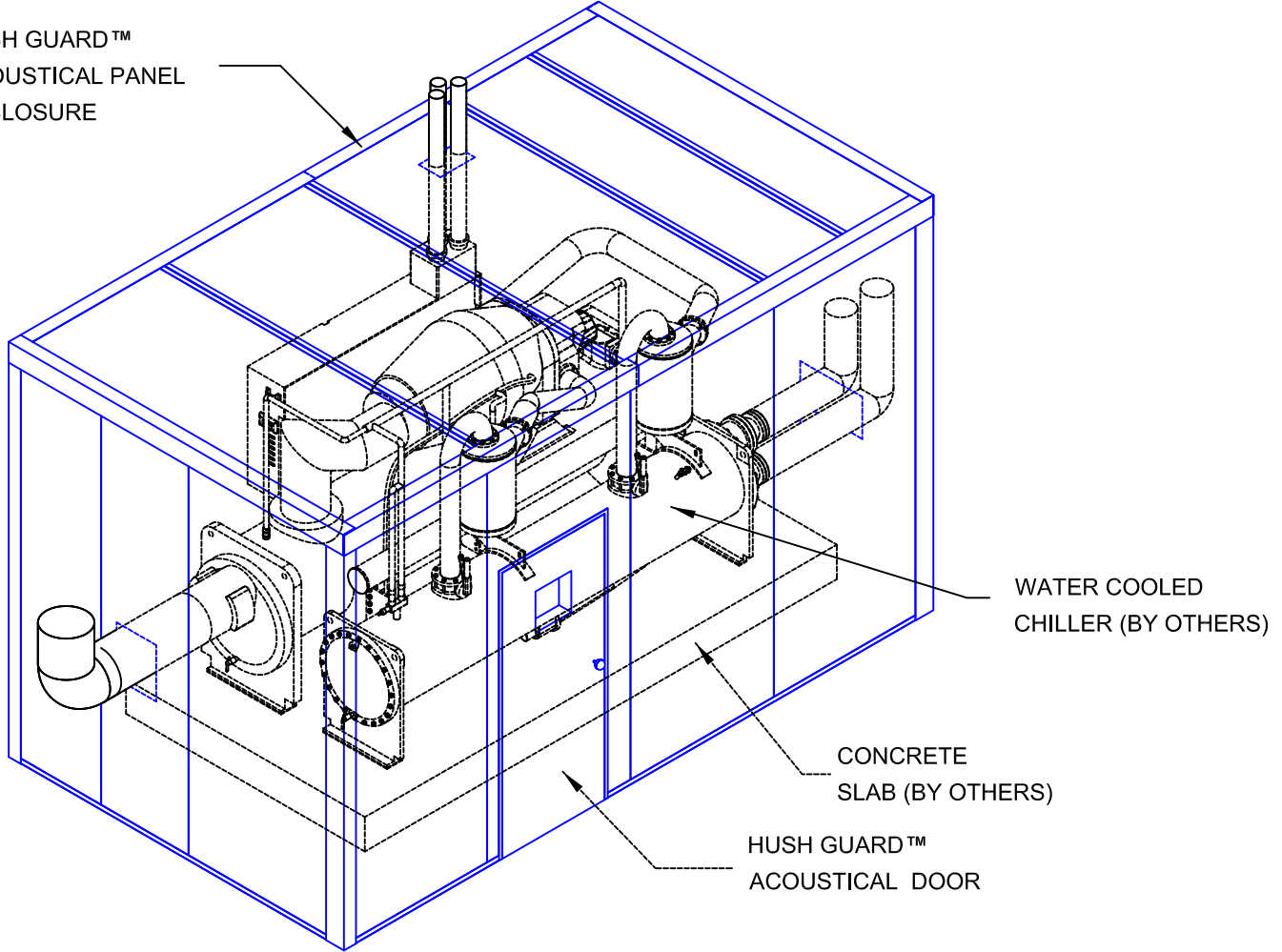


HUSH GUARD™

ACOUSTICAL PANEL

ENCLOSURE



CHILLER NOISE REDUCTION SYSTEM

HUSHCORE® *ULTIMATE™* Chiller Noise Reduction System:

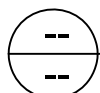
- a. Shall consist of HUSH GUARD™ Acoustical Panels
 - 1. HUSH GUARD™ Acoustical Panels shall consist of a sandwich construction of galvanized steel outside and inside skins with acoustical insulation fill. The acoustical panels shall be a four (4) sided barrier wall that will surround the entire chiller and include a roof. (1) acoustical access door shall be included.
 - 2. The entire chiller HUSH GUARD™ Acoustical Enclosure shall be self-supporting or may require additional structural steel frame (size dependent), including all necessary accessories and trim items shall be provided by the acoustical manufacturer.
- b. The complete system shall meet chiller manufacturers published data pertaining to heat loss of compressors, and ensure minimal “de-rating” of chiller performance.
- c. The complete system shall be installed indoors and meet environmental conditions such as temperature and moisture.
- d. OEM Factory Acoustical Packages by the Chiller Manufacturer are not acceptable.

Basis of design: Products and Systems shall be by BRD Noise and Vibration Control, Inc., Wind Gap, PA - (610) 863-6300, www.HUSHCORE.net.

ACOUSTICAL PERFORMANCE

- a. To assure optimized aerodynamic and acoustic performance as well as proper integration and coordination of the final installation, the HUSHCORE® System shall be supplied by the chiller unit manufacturer as part of a complete package.
- b. All Noise Control Materials Manufacturer's shall deliver a complete submittal of the HUSHCORE® System in compliance with the acoustical performance as listed in this specification. Please contact BRD Noise and Vibration Control, Inc. (610) 863-6300 for acoustical compliance and noise reductions as listed below for the applicable project.
 - 1. Acoustical readings shall be provided by the chiller manufacturer after completed installation. Readings shall be conducted by a qualified acoustical consultant.
 - 2. Chiller Sound Power (Lw), including the specified HUSHCORE® System, shall not exceed the following octave band sound levels:

Freq. (Hz)	<u>63</u>	<u>125</u>	<u>250</u>	<u>500</u>	<u>1000</u>	<u>2000</u>	<u>4000</u>	<u>8000</u>
Sound Power (Lw)	[]	[]	[]	[]	[]	[]	[]	[]



CHILLER NOISE CONTROL DETAIL