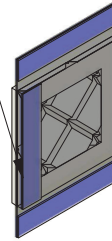


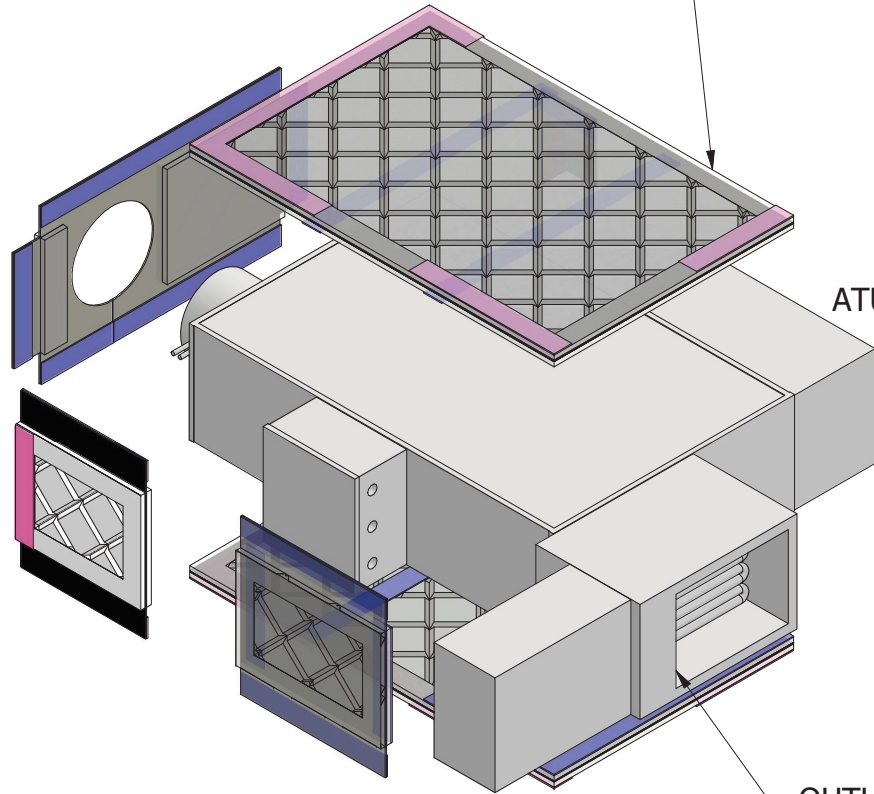
FRONT VELCRO ALLOWS FOR ATTACHMENT
DIRECTLY TO ATU UNIT.

HUSH FLEX PANELS TREAT ATU
RADIATED CABINET NOISE

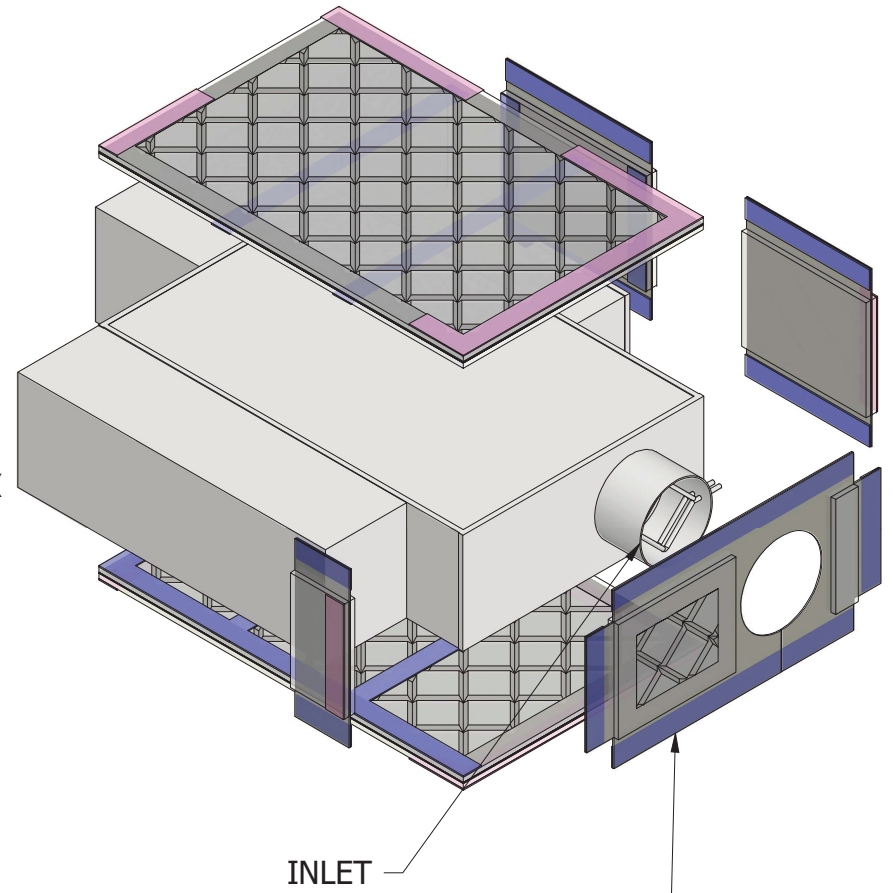


ATU BOX

ATU BOX



OUTLET



INLET

HOOK VELCRO FLAPS FLAP OVER ONTO
OTHER PANELS TO WRAP AROUND UNIT.

HUSHCORE[®]

PREMIUM ATU[™]

Noise Reduction System