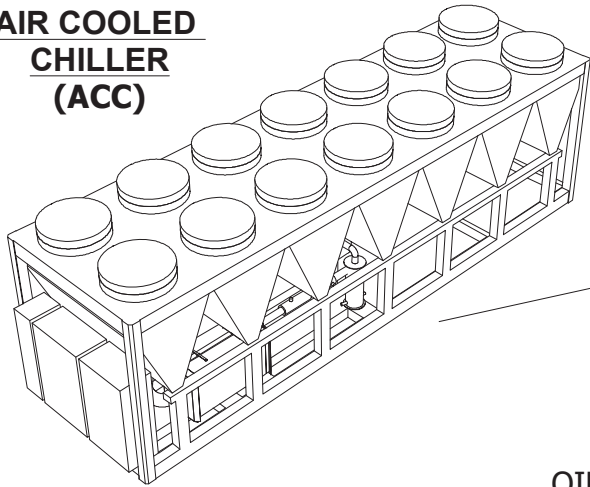


**AIR COOLED
CHILLER
(ACC)**



**OIL
SEPARATOR**

**SCREW
COMPRESSOR**

**DISCHARGE
LINE**

**SUCTION
LINE**

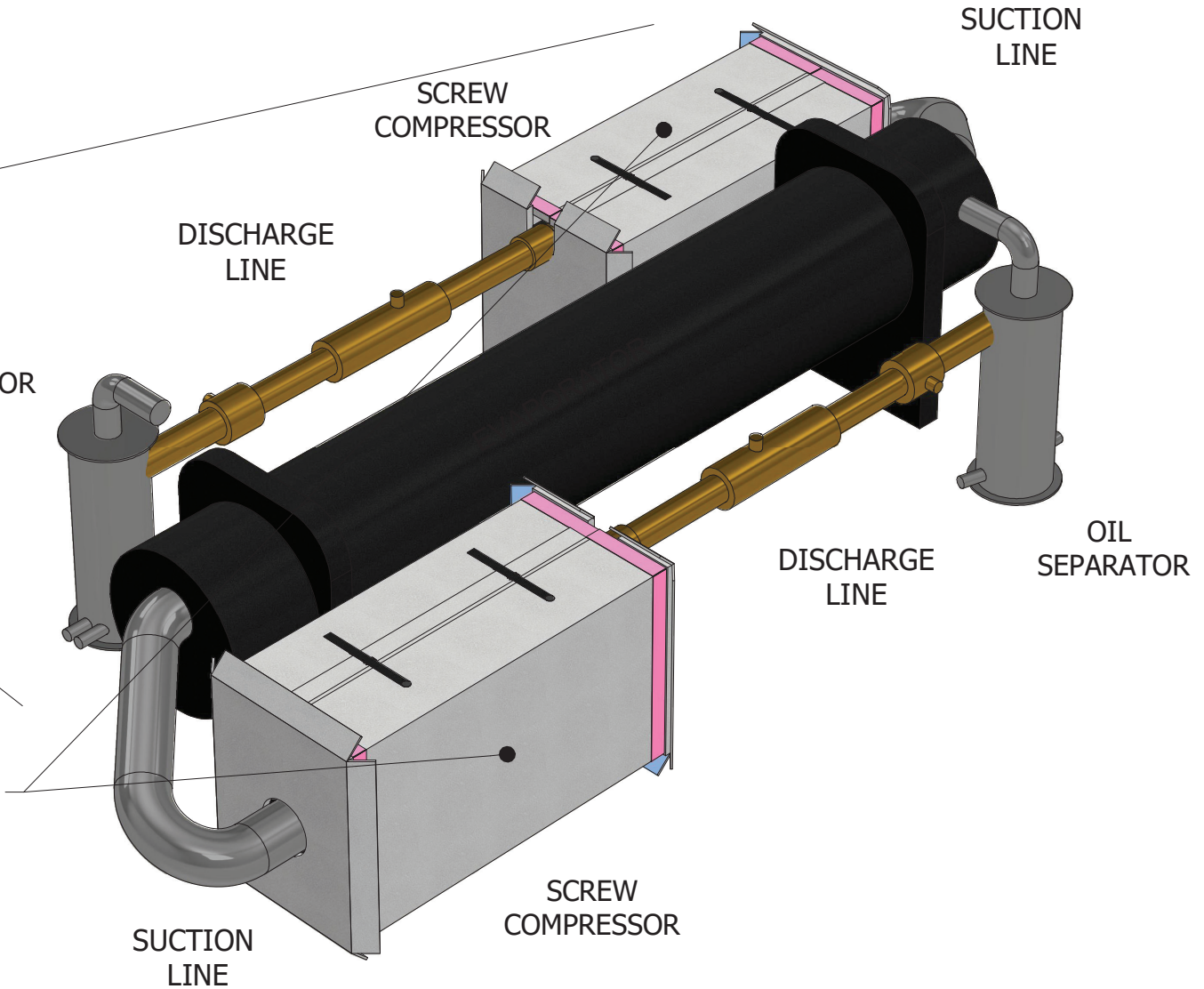
**DISCHARGE
LINE**

**OIL
SEPARATOR**

HUSH COVER
Removable Insulation Blanket
For Chiller Screw Compressors ONLY

**SUCTION
LINE**

**SCREW
COMPRESSOR**



HUSHCORE[®] STANDARD[™] CO Noise Reduction System