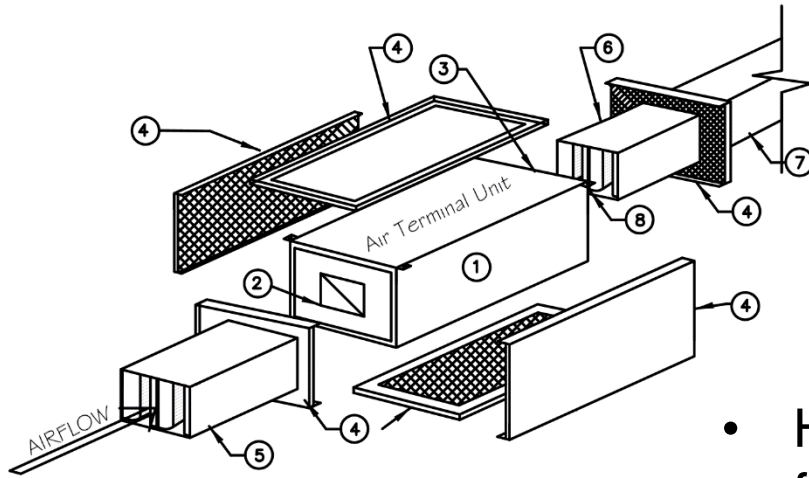


HUSHCORE™ ZENITH™ SYSTEM

Air Terminal Units



By Equipment Unit Manufacturer

1. Air Terminal Unit
2. Unit Inlet (Return)
3. Unit Outlet (Discharge)

By Acoustical Manufacturer

4. HUSHCORE™ Zenith™ System Removable Acoustical Enclosure
5. HUSHCORE™ Inlet/Return HUSH DUCT™ silencer
6. HUSHCORE™ Outlet/Discharge HUSH DUCT™ silencer

By HVAC Contractor

7. SA/RA Duct Work
8. Isolated Hanger Rods
9. Flex Connections (Not Shown)

- HUSH FLEX™ removable cabinet wraps for cabinet radiated sound
- HUSH DUCT™ silencers for open inlet/return and outlet/discharge noise
- 4 to 6 dBA reduction of radiated sound
- 5 to 10 dBA reduction of inlet/return and outlet/discharge noise. Project Performance Driven
- Model PWN-250 and PWA-500 (Class “A”) HUSH FLEX™ enclosure with Insertion Loss per ASTM E-1222.

HUSHCORE™ ZENITH™ System (Insertion Loss) in accordance with ASTM E-1222 for PWN-250/PWA-500													
Hz	315	400	500	630	800	1K	1250	1600	2K	2500	3150	4K	5K
IL	2	2	8	13	11	23	27	28	30	30	27	31	32