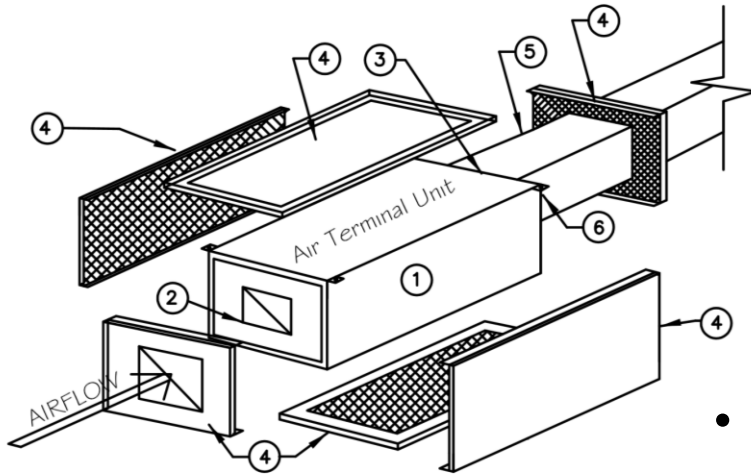


# HUSHCORE™ PREMIUM™ SYSTEM

## Air Terminal Units



### By Equipment Unit Manufacturer

1. Air Terminal Unit
2. Unit Inlet (Return)
3. Unit Outlet (Discharge)

### By Acoustical Manufacturer

4. HUSHCORE™ Premium™ System Removable Acoustical Enclosure

### By HVAC Contractor

5. SA/RA Duct Work
6. Isolated Hanger Rods
7. Flex Connections (Not Shown)

- Source Control using HUSH FLEX™ Velcro removable cabinet wrap jackets
- Reduces cabinet radiated noise with all types of Air Terminal Units, In-line fans and plenum suspended air handlers
- **4 to 6 dBA typical reduction of radiated sound**
- Model PWN-250 panels are standard
- Model PWA-500 panels where Class “A” flammability is required

HUSHCORE™ PREMIUM™ System (Insertion Loss) in accordance with ASTM E-1222 for PWN-250/PWA-500													
Hz	315	400	500	630	800	1K	1250	1600	2K	2500	3150	4K	5K
IL	2	2	8	13	11	23	27	28	30	30	27	31	32